

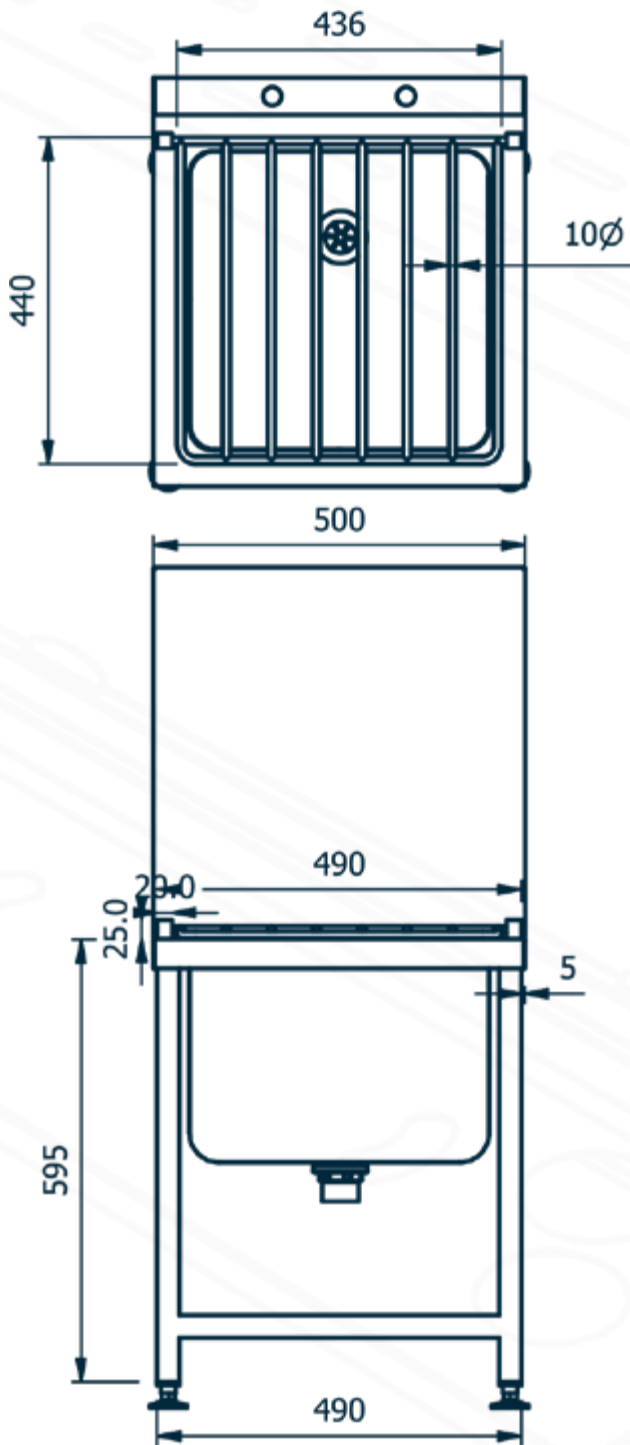
Overview

Stainless steel bucket sink that is ideal for installing in cleaner's rooms, workshops and kitchens. Designed for heavy usage, the bucket sink has a large deep bowl, a stainless-steel hinged grid and splashback. Mounted at low level for easy filling and emptying of buckets. Sink Top and Sink Bowl manufactured from 304 type stainless steel. Specially designed and hand crafted to form a single seamless unit with a satin polished finish. anti-drip edges to the front and ends, and a fully welded boxed up-stand to the rear. Unlike standard thin sheet metal pressed type Sink bowls which vary in thickness, E&R Moffat Ltd long-life hand crafted bowls retain a constant thickness throughout. mounted on square section stainless steel tube legs with adjustable for level flanged floor fixing feet.

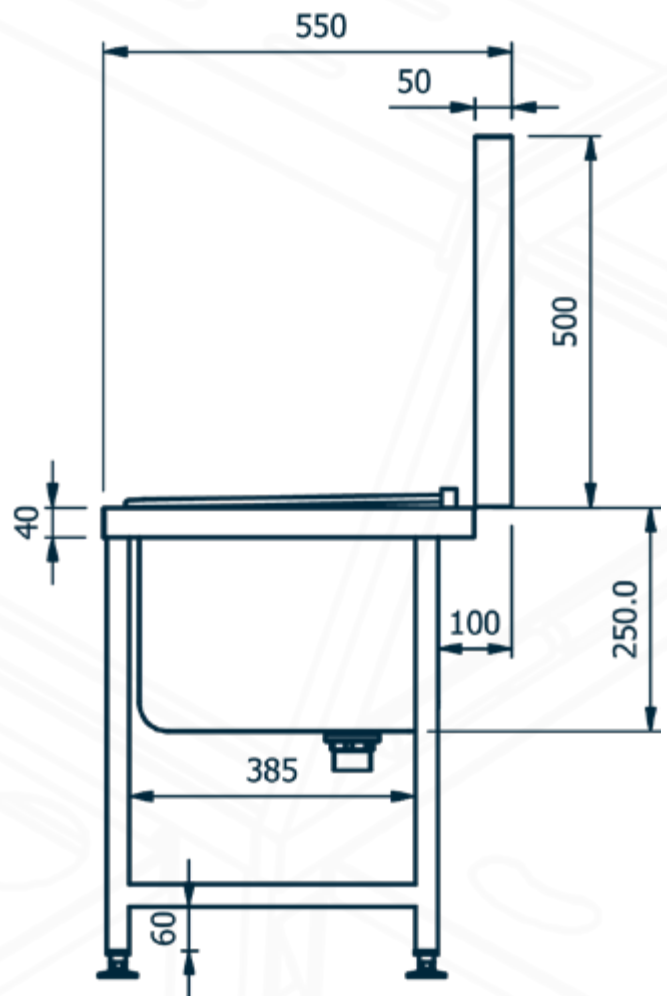
Key Features:

- Tops made from 304 grade stainless steel
- Bowls are heavy duty, hand crafted in 304 grade stainless steel
- Standard Sink Bowl are 400mm long x 400mm wide 250mm deep
- 38mm plug and Waste fitting
- Splashback is 500mm high
- Hinged stainless rod bucket grating
- Legs are 30mm x 30mm square 430 grade stainless steel
- Feet are adjustable die cast flanged type





Model Code	Weight (kg)	Length (mm)	Width (mm)	Sink Top Height (mm)	Overall Height (mm)
CSU1	20	500	550	625	1125



E&R Moffat Ltd.
Bonnybridge
FK4 2BS
Scotland

Find us on:



www.ermoffat.co.uk
+44 (0) 1324 812272
sales@ermoffat.co.uk

1/2" CROSS HEAD MIXER WITH SWIVEL SPOUT



Worktop hole: 25mm,
Recommended working pressure 0.2-6 bar

Description	Model
WR-500MX 1/2-inch Deck Mixer	FX1

1/2" CROSS HEAD SINK TAPS



Worktop hole: 25mm,
Recommended working pressure 0.2-6 bar

Description	Model
WR-500SX 1/2-inch Sink Taps (pair)	FX2

3/4" CROSS HEAD SINK TAPS



Worktop hole: 30mm,
Recommended working pressure 0.2-6 bar

Description	Model
3/4160HNPR 3/4-inch Sink Taps (pair)	FX3



Worktop hole: 25mm,
Recommended working pressure 0.2-6 bar

Description	Model
WR-500BX 1/2-inch Basin Taps (pair)	FX4

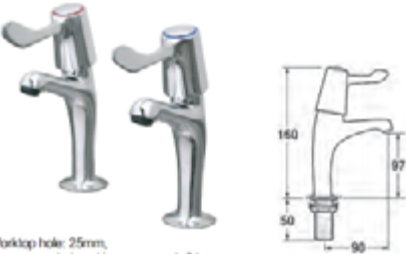
1/2" BASIN TAPS WITH 3-INCH LEVERS



Worktop hole: 25mm,
Recommended working pressure 1-3 bar

Description	Model
500BL3 1/2-inch Basin Taps (pair)	FX5

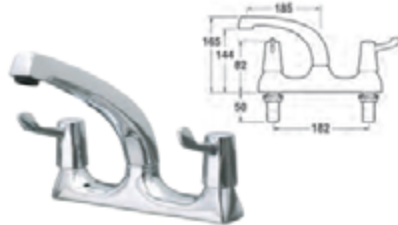
1/2" SINK TAPS WITH 3-INCH LEVERS



Worktop hole: 25mm,
Recommended working pressure 1-3 bar

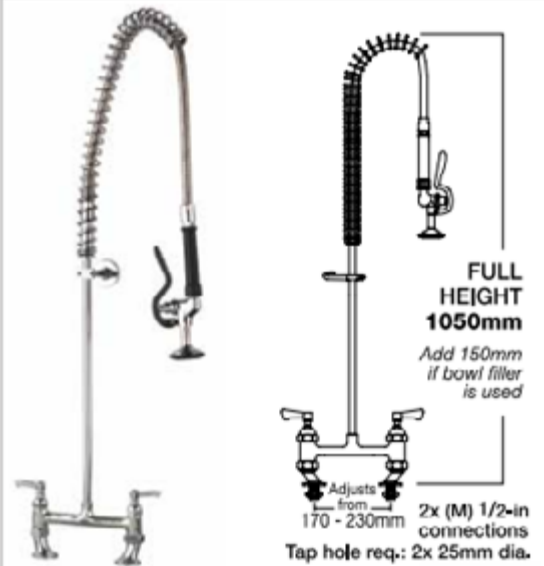
Description	Model
500SL3 1/2-inch Sink Taps (pair)	FX5

1/2" MIXER WITH 3-INCH LEVERS AND SWIVEL SPOUT



Worktop hole: 25mm,
Recommended working pressure 1-3 bar

Description	Model
500ML3 1/2-inch Deck Mixer	FX7



AquaJet 30 STANDARD

Description	Model
AJPR30-ST-BF0-S AJPR30 base / STANDARD style / No bowl filler / STANDARD gun	FX8



E&R Moffat Ltd.
Bonnybridge
FK4 2BS
Scotland

Find us on:



www.ermoffat.co.uk
+44 (0) 1324 812272
sales@ermoffat.co.uk